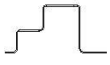



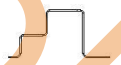









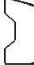



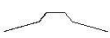

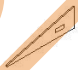










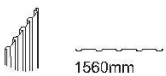
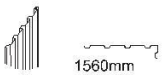

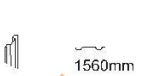
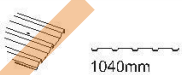
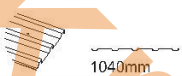
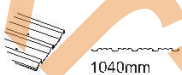
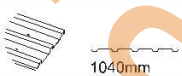















Gardebruk Zahradní domek kovový 210 x 132 x 186 cm zelený



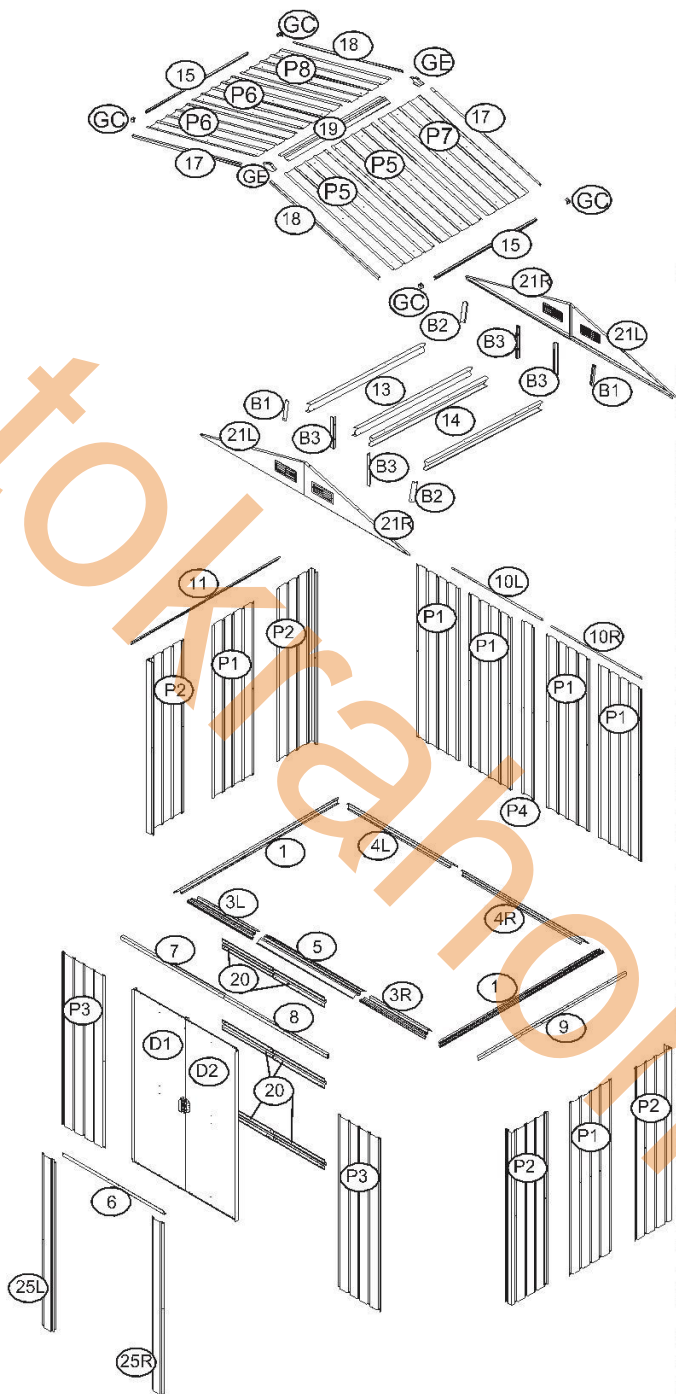
| NO. | PART | Qty. | v KARTONU |
|-----|--|------|-----------|
| 1 |  1180mm | 2 | 2 |
| 3L |  608mm | 1 | 2 |
| 3R |  608mm | 1 | 2 |
| 4L |  1007mm | 1 | 2 |
| 4R |  1007mm | 1 | 2 |
| 5 |  865mm | 1 | 2 |
| 6 |  996mm | 1 | 2 |
| 7 |  941mm | 1 | 2 |
| 8 |  941mm | 1 | 2 |
| 9 |  1146mm | 1 | 2 |
| 10L |  950mm | 1 | 2 |
| 10R |  950mm | 1 | 2 |
| 11 |  1146mm | 1 | 2 |
| 13 |  1180mm | 2 | 2 |
| 14 |  1180mm | 2 | 2 |




| NO. | PART | Qty. | v KARTONU |
|-----|--|------|-----------|
| 15 |  1304mm | 2 | 1 |
| 17 |  1040mm | 2 | 2 |
| 18 |  1040mm | 2 | 2 |
| 19 |  1304mm | 1 | 1 |
| 20 |  456mm | 6 | 2 |
| 21L |  | 2 | 2 |
| 21R |  | 2 | 2 |
| 25L |  1560mm | 1 | 1 |
| 25R |  1560mm | 1 | 1 |
| B1 |  124mm | 2 | 2 |
| B2 |  124mm | 2 | 2 |
| B3 |  169mm | 4 | 2 |
| W1 |  989 mm | 2 | 2 |
| W2 |  989 mm | 2 | 2 |
| W3 |  624 mm | 3 | 2 |
| GJ |  | 2 | 2 |

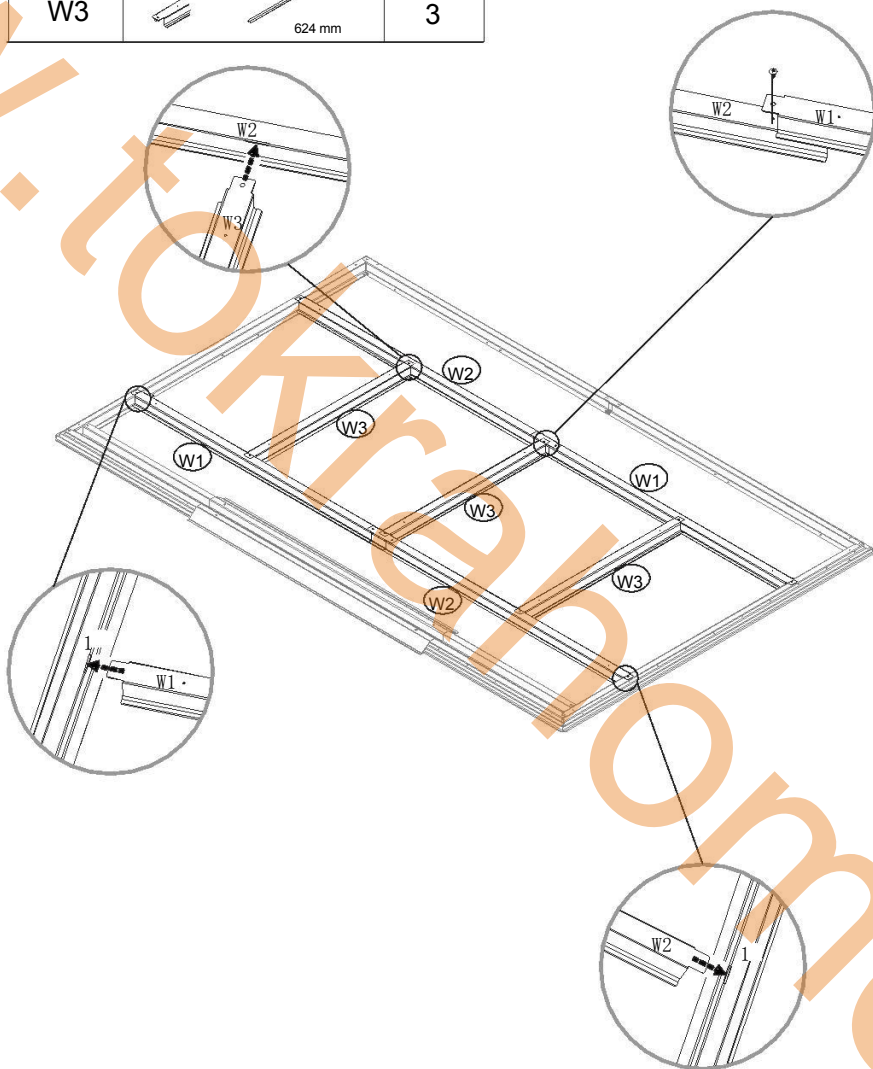
| NO. | PART | Qty. | v KARTONU |
|-----|--|------|-----------|
| P1 |  1560mm | 6 | 1 |
| P2 |  1560mm | 4 | 1 |
| P3 |  1560mm | 2 | 1 |
| P4 |  1560mm | 1 | 1 |
| P5 |  1040mm | 2 | 2 |
| P6 |  1040mm | 2 | 2 |
| P7 |  1040mm | 1 | 2 |
| P8 |  1040mm | 1 | 2 |
| G2 |  | 4 | 2 |
| GD |  | 4 | 2 |
| GF |  | 4 | 2 |
| GB |  | 2 | 2 |
| GC |  | 4 | 2 |
| GE |  | 2 | 2 |



| NO. | PART | Qty. | V KARTONU |
|-----|---|------|-----------|
| F1 |  | 215 | 2 |
| F2 |  | 75 | 2 |
| F3 |  | 8 | 2 |
| S2 |  | 120 | 2 |
| S3 |  | 216 | 2 |
| D1 |  1550X460mm | 1 | 1 |
| D2 |  1550X460mm | 1 | 1 |

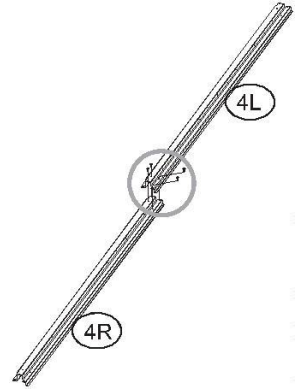
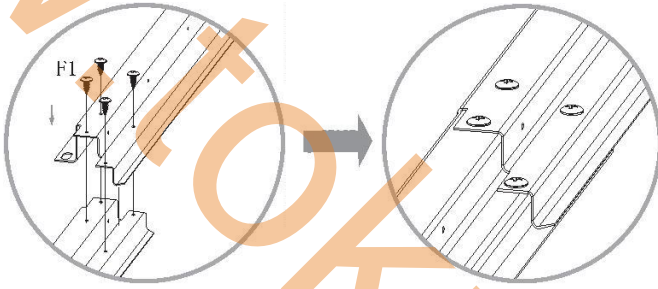
www.totoblock.com




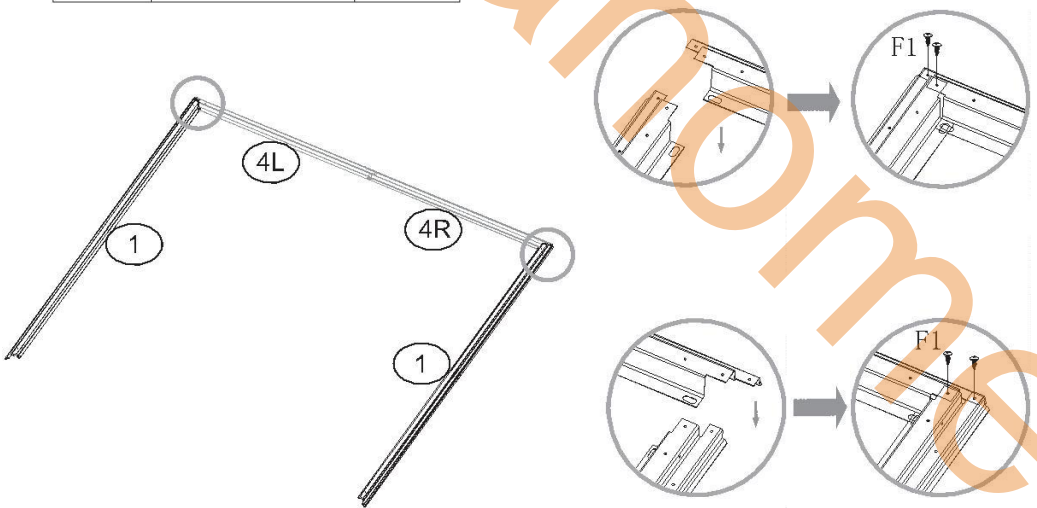
| NE. | Část | počet |
|-----|--|-------|
| W1 |  989 mm | |
| W2 |  989 mm | 2 |
| W3 |  624 mm | 3 |





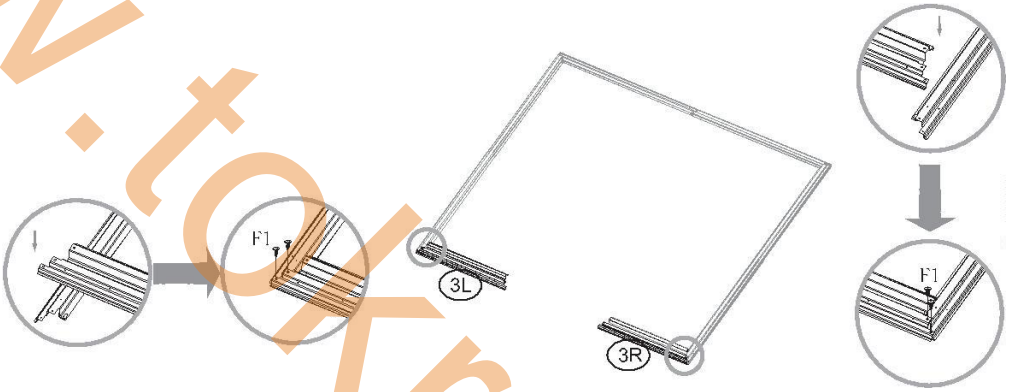
| NO. | PART | Qty. |
|-----|---|------|
| 4L |  | 1 |
| 4R |  | 1 |




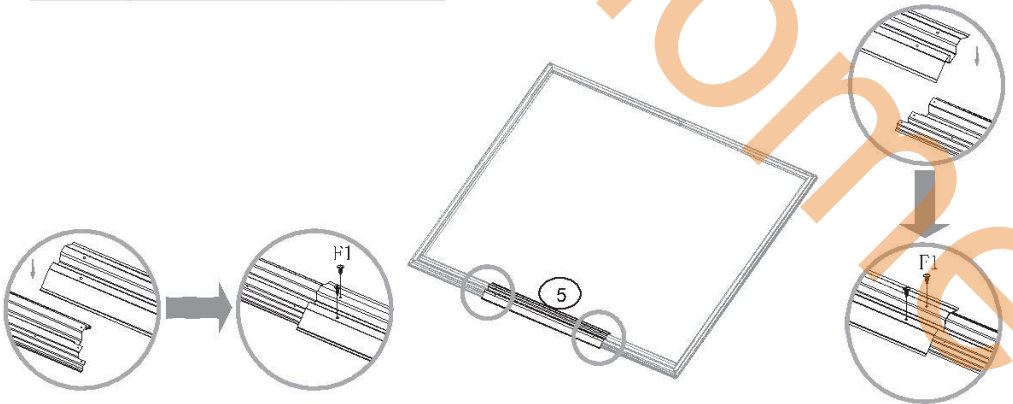
| NO. | PART | Qty. |
|-----|---|------|
| 1 |  | 2 |




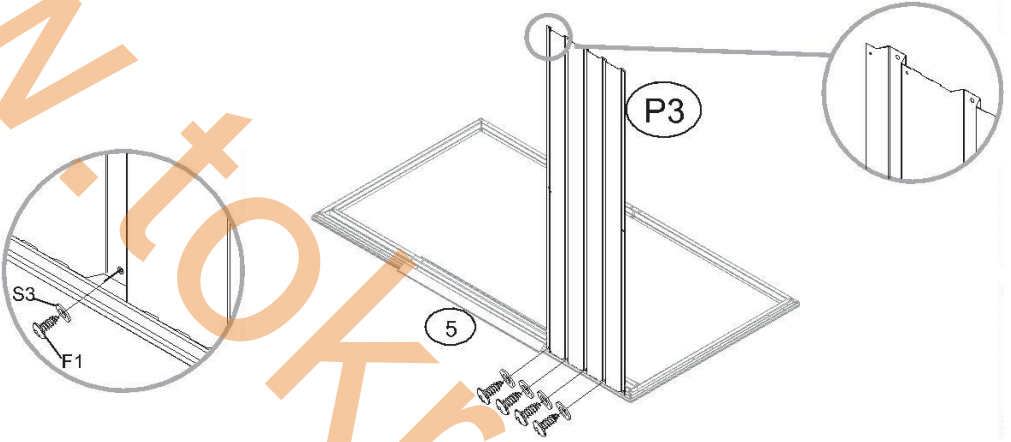
| NO. | PART | Qty. |
|-----|---|------|
| 3L |  | 1 |
| 3R |  | 1 |

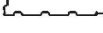


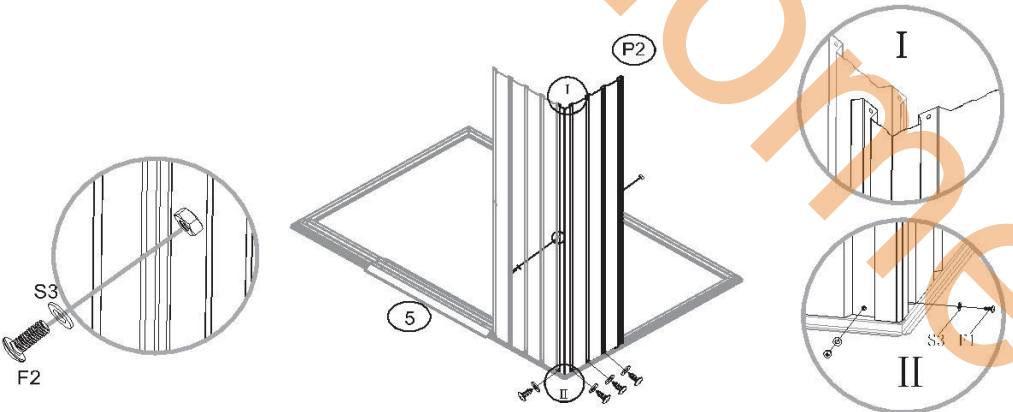
| NO. | PART | Qty. |
|-----|--|------|
| 5 |  | 1 |

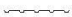


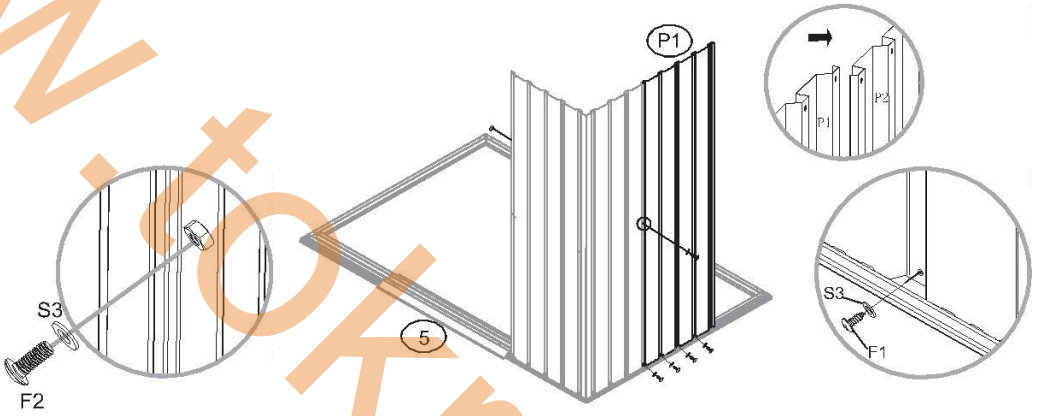
| NO. | PART | Qty. |
|-----|---|------|
| P3 |  | 1 |




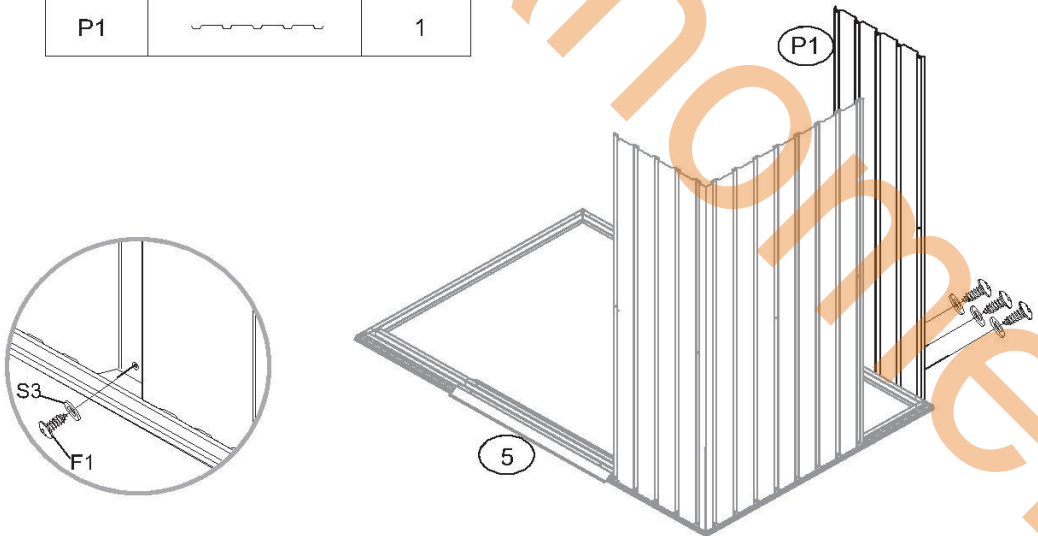
| NO. | PART | Qty. |
|-----|---|------|
| P2 |  | 1 |




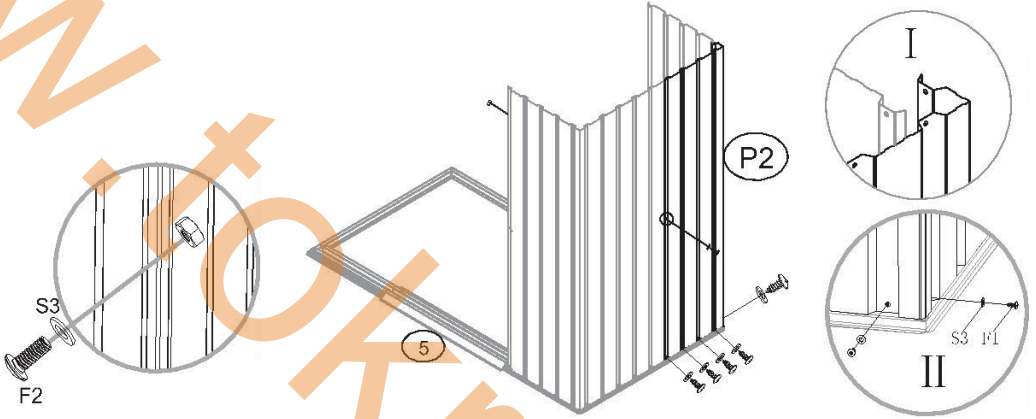
| NO. | PART | Qty. |
|-----|---|------|
| P1 |  | 1 |

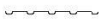


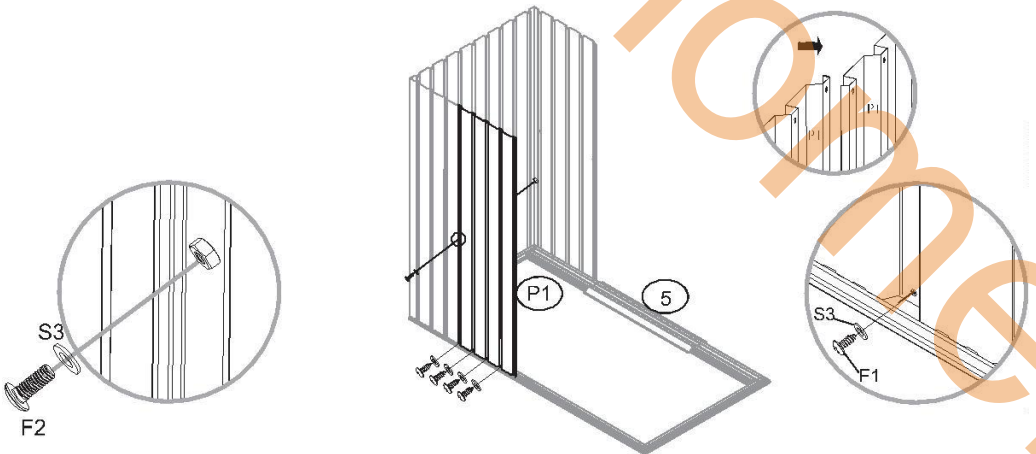
| NO. | PART | Qty. |
|-----|---|------|
| P1 |  | 1 |

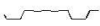


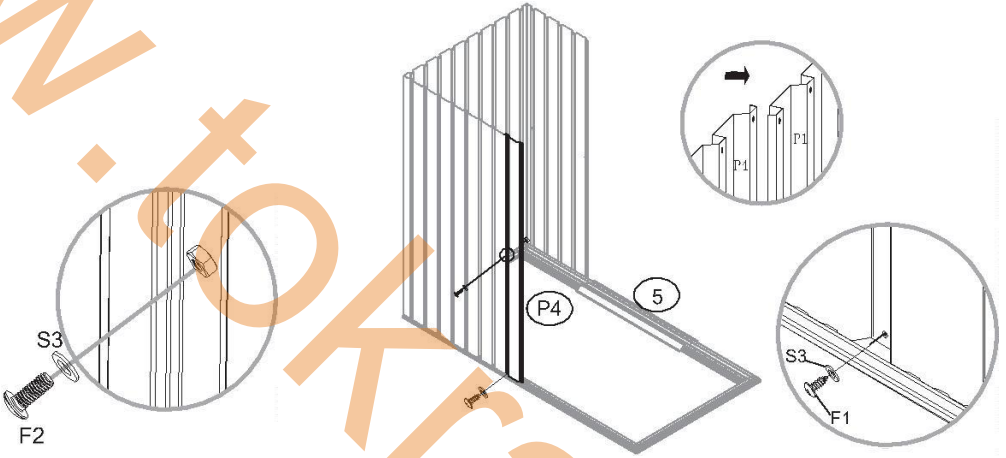
| NO. | PART | Qty. |
|-----|---|------|
| P2 |  | 1 |



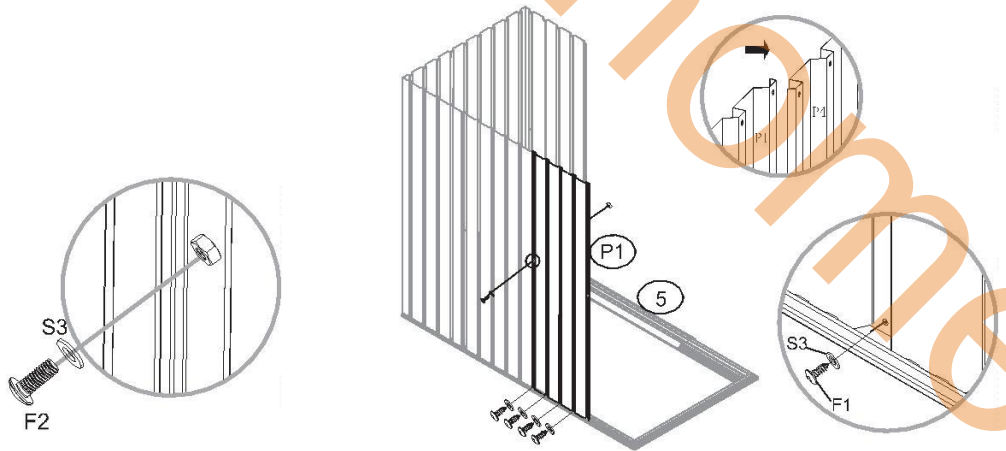
| NO. | PART | Qty. |
|-----|---|------|
| P1 |  | 1 |



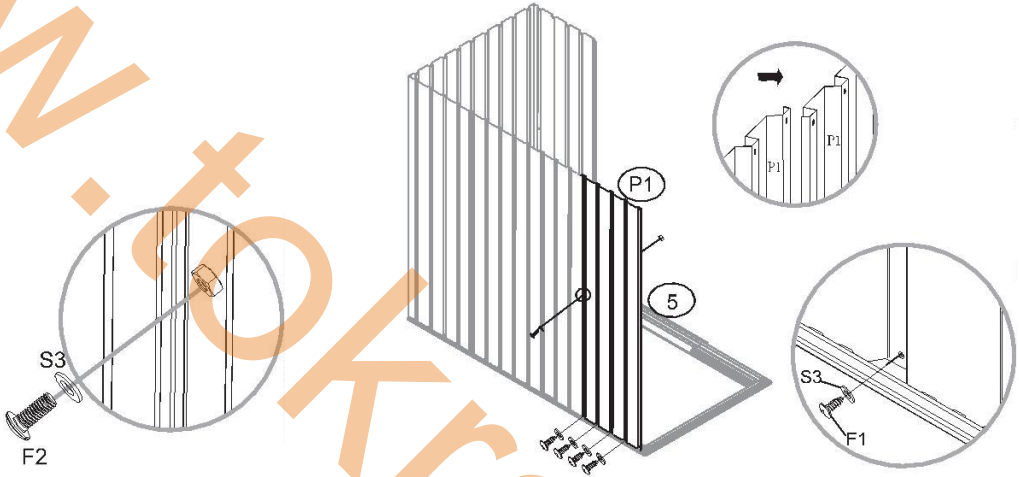
| NO. | PART | Qty. |
|-----|---|------|
| P4 |  | 1 |



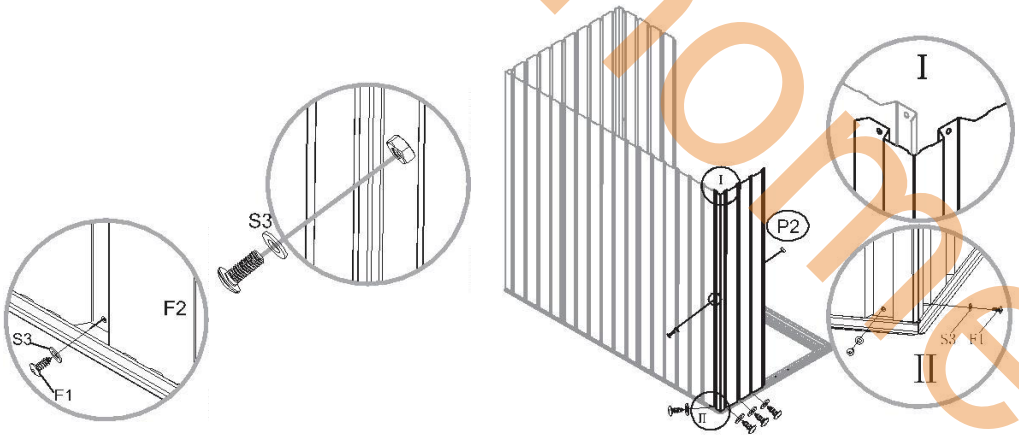
| NO. | PART | Qty. |
|-----|---|------|
| P1 |  | 1 |



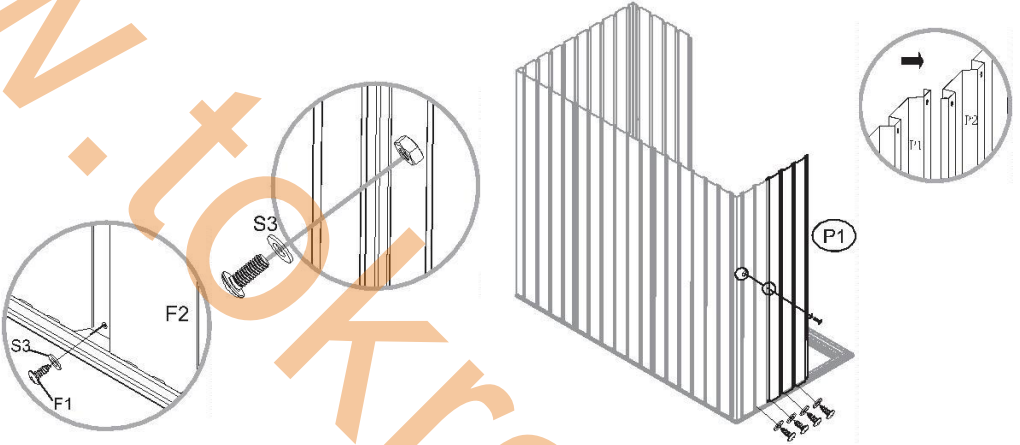
| NO. | PART | Qty. |
|-----|---|------|
| P1 |  | 1 |



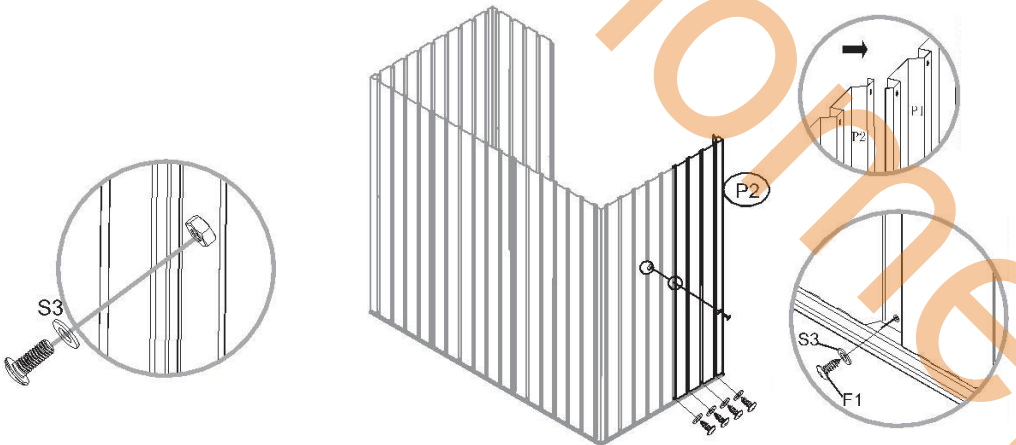
| NO. | PART | Qty. |
|-----|---|------|
| P2 |  | 1 |

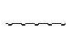


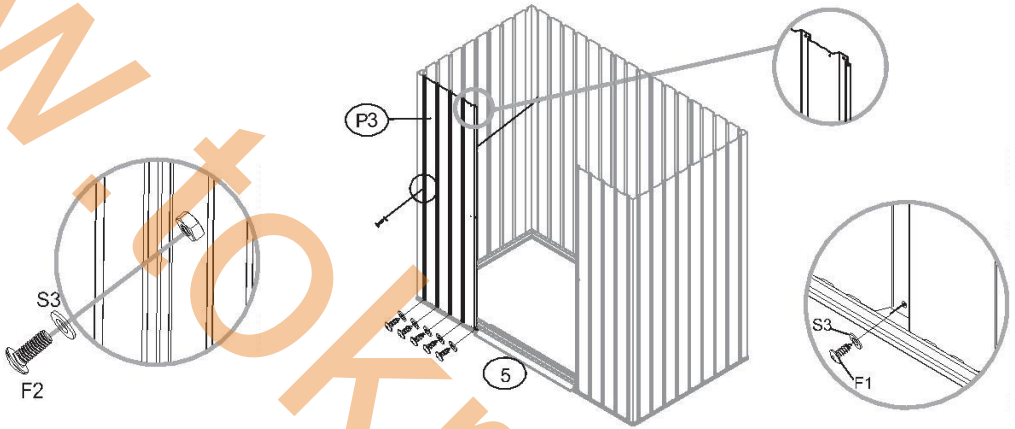
| NO. | PART | Qty. |
|-----|--------------|------|
| P2 | <i>.....</i> | 1 |





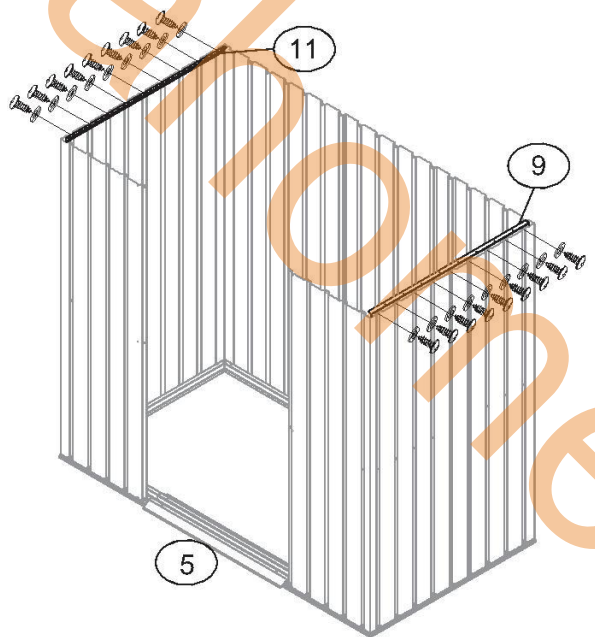
| NO. | PART | Qty. |
|-----|--------------|------|
| P4 | <i>.....</i> | 1 |






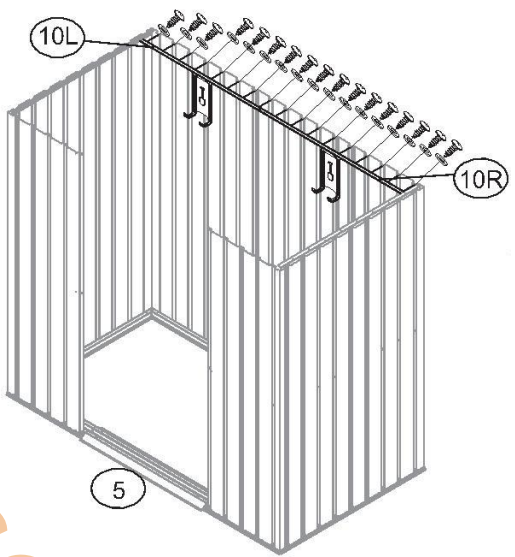
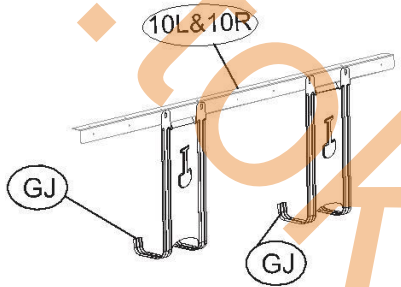
| NO. | PART | Qty. |
|-----|---|------|
| P3 |  | 1 |







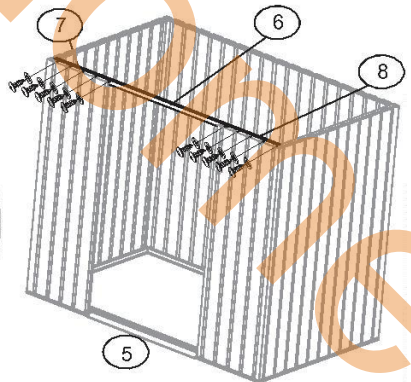
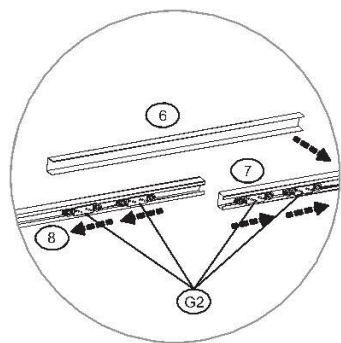
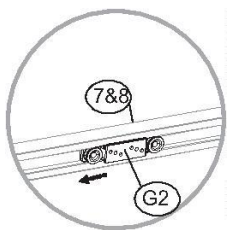
| NO. | PART | Qty. |
|-----|---|------|
| 9 |  | 1 |
| 11 |  | 1 |









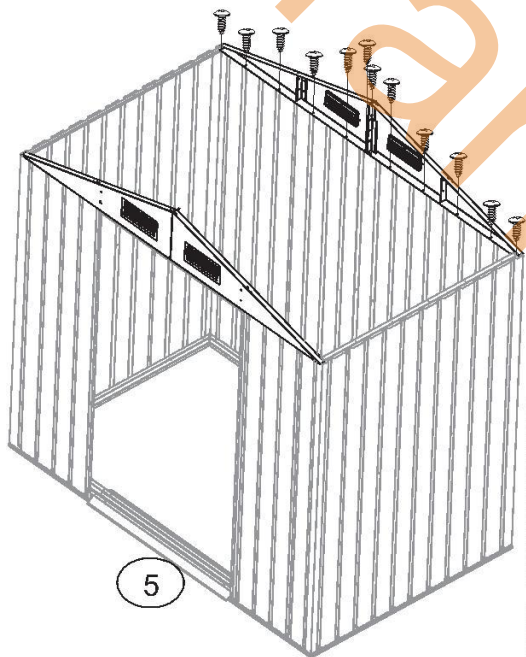
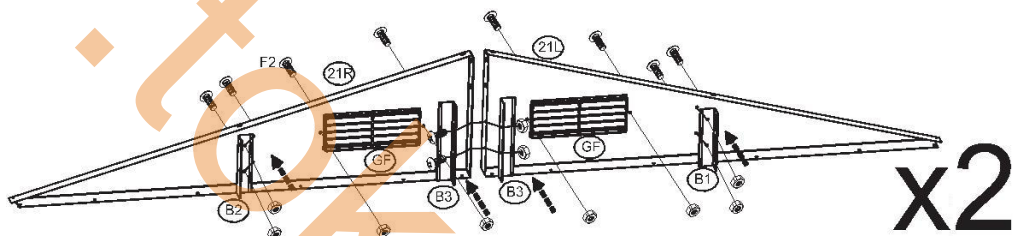
| NO. | PART | Qty. |
|-----|---|------|
| 10L |  | 1 |
| 10R |  | 1 |
| GJ |  | 2 |

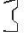



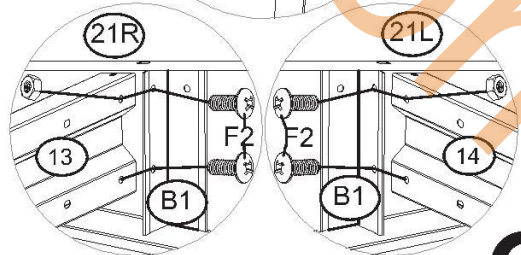
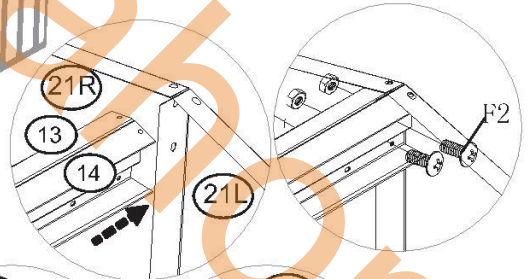
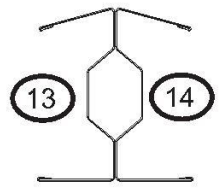
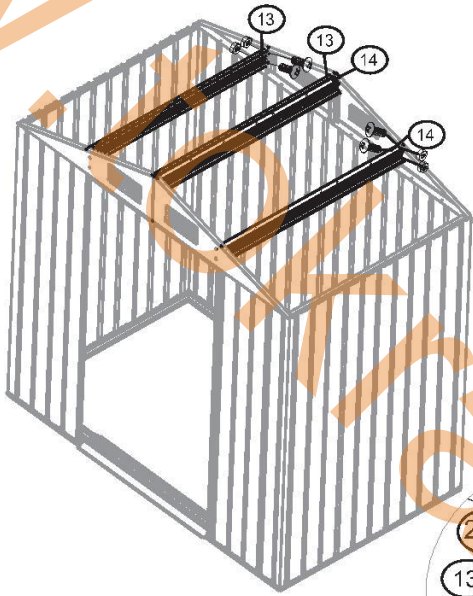
| NO. | PART | Qty. |
|-----|---|------|
| 6 |  | 1 |
| 7 |  | 1 |
| 8 |  | 1 |
| G2 |  | 4 |





| NO. | PART | Qty. | NO. | PART | Qty. |
|-----|---|------|-----|---|------|
| 21L |  | 2 | B1 |  | 2 |
| 21R |  | 2 | B2 |  | 2 |
| GF |  | 4 | B3 |  | 4 |

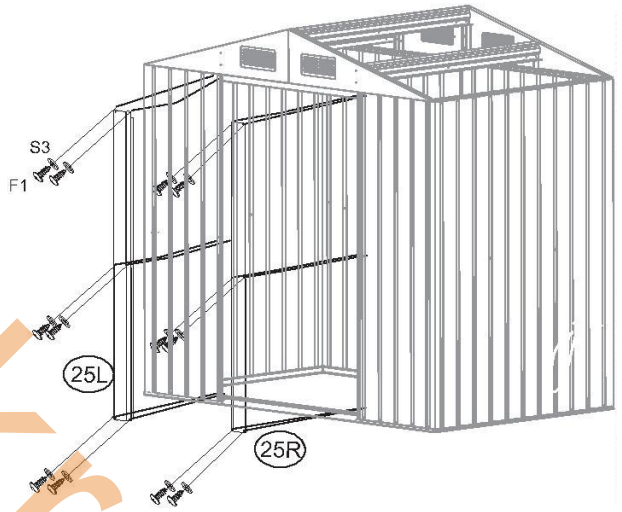
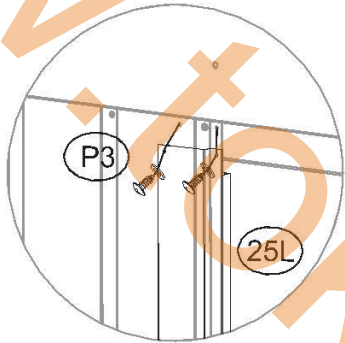




| NO. | PART | Qty. |
|-----|---|------|
| 13 |  | 2 |
| 14 |  | 2 |

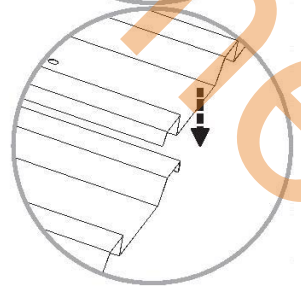
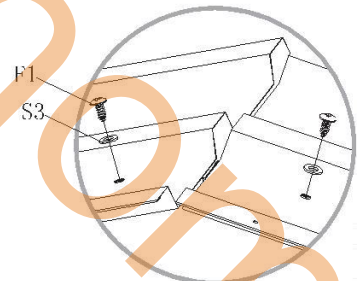
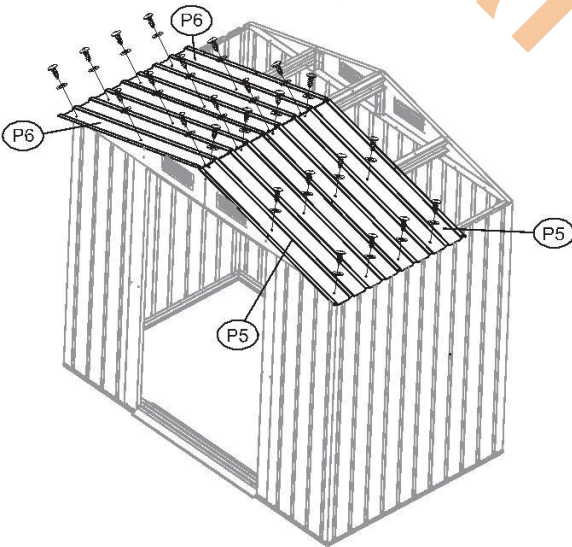


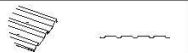

x2

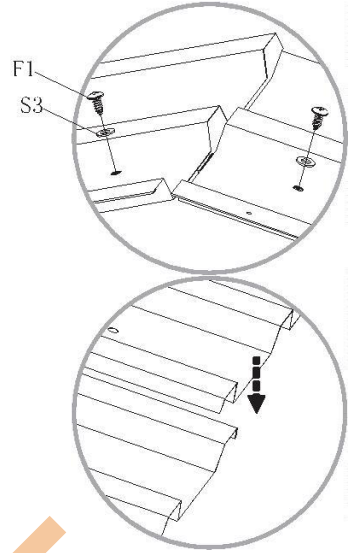
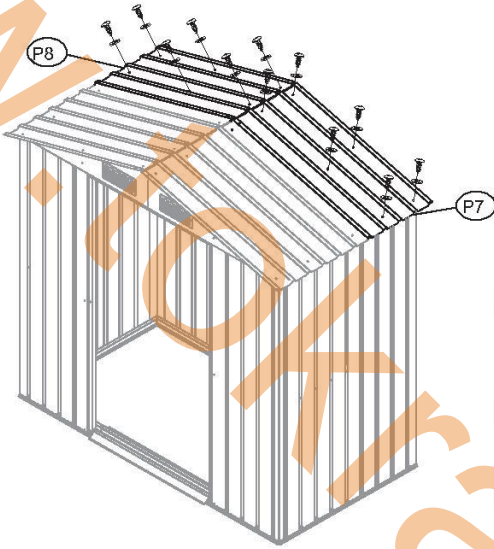
| NO. | PART | Qty. |
|-----|---|------|
| 25L |  | 1 |
| 25R |  | 1 |




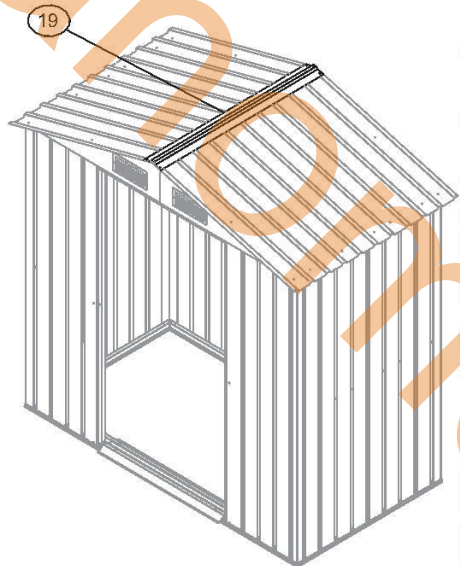
| NO. | PART | Qty. |
|-----|---|------|
| P5 |  | 2 |
| P6 |  | 2 |






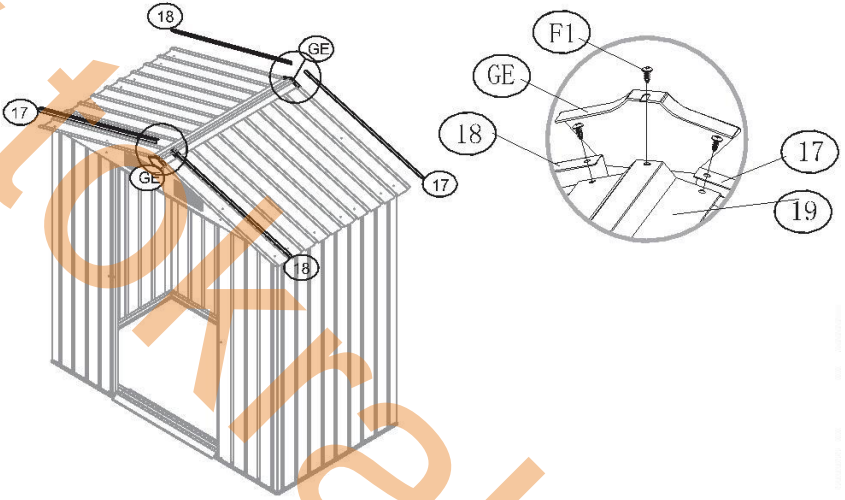
| NO. | PART | Qty. |
|-----|---|------|
| P7 |  | 1 |
| P8 |  | 1 |





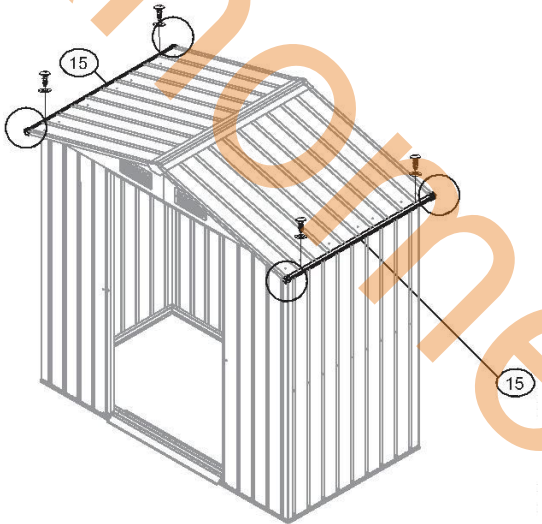
| NO. | PART | Qty. |
|-----|---|------|
| 19 |  | 1 |

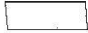




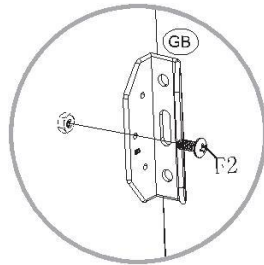
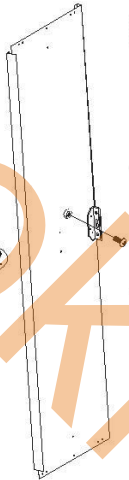
| NO. | PART | Qty. |
|-----|---|------|
| 17 |  | 2 |
| 18 |  | 2 |
| GE |  | 2 |




| NO. | PART | Qty. |
|-----|---|------|
| 15 |  | 2 |
| GC |  | 4 |

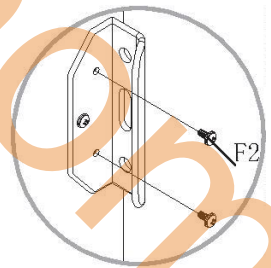
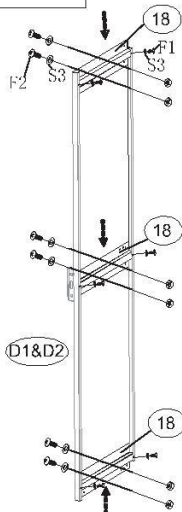


| NO. | PART | Qty. |
|-----|---|------|
| D1 |  | 1 |
| D2 |  | 1 |
| GB |  | 2 |




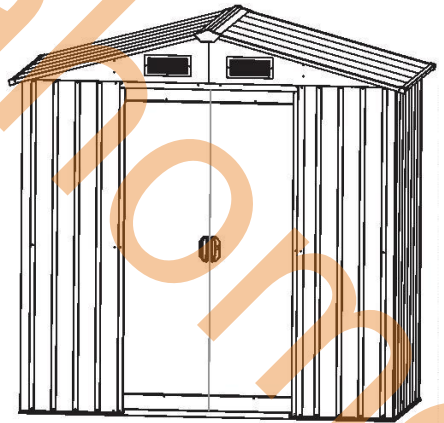
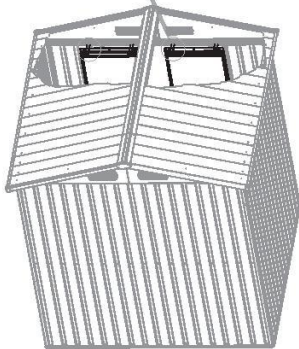
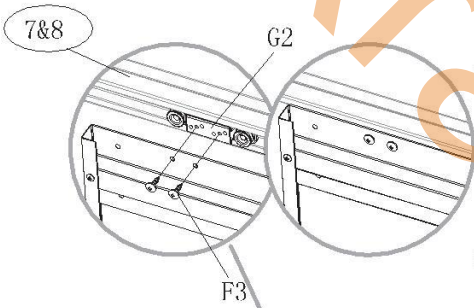
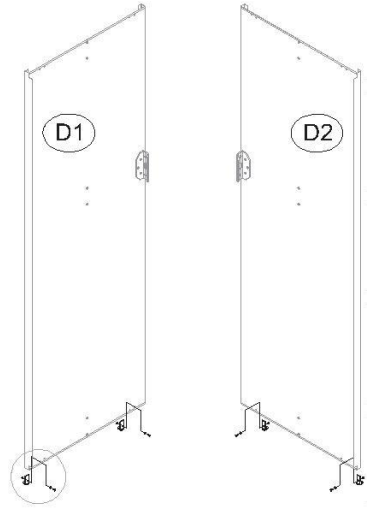
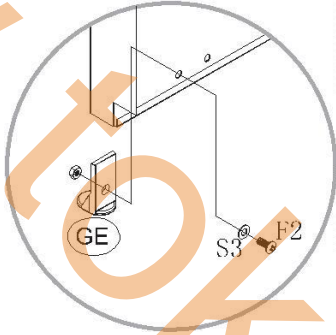
x2

| NO. | PART | Qty. |
|-----|---|------|
| 18 |  | 6 |



x2

| NO. | PART | Qty. |
|-----|---|------|
| GD |  | 4 |



www.tokrahome.com